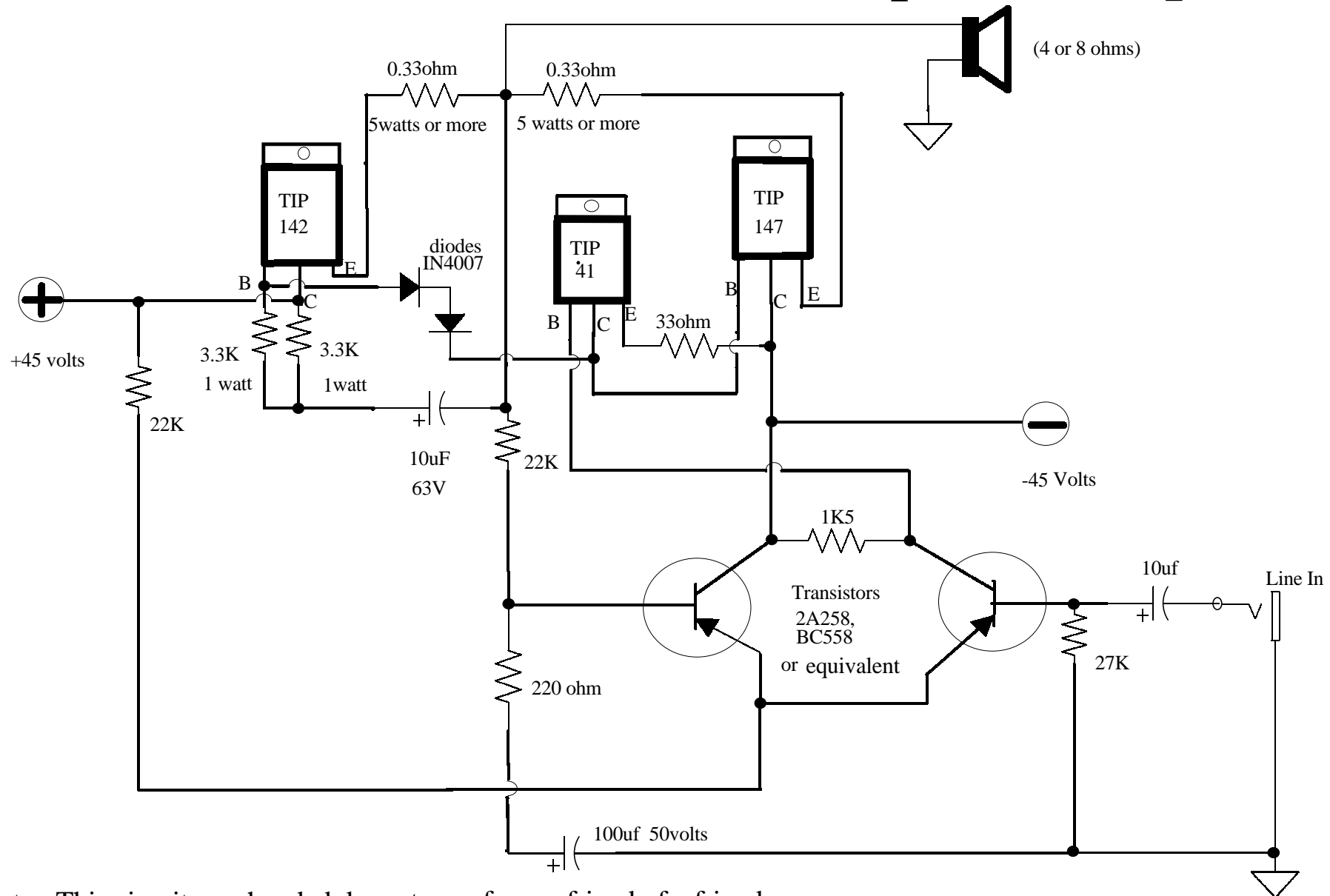


100 to 150 watt power amp



Note : This circuit was handed down to me from a friend of a friend.

It works amazingly well and is cheap to make.

It is so simple that I have even built it without a PCB.

The power is dependent on how much voltage you put in it so it also depends on what Darlington's you use.