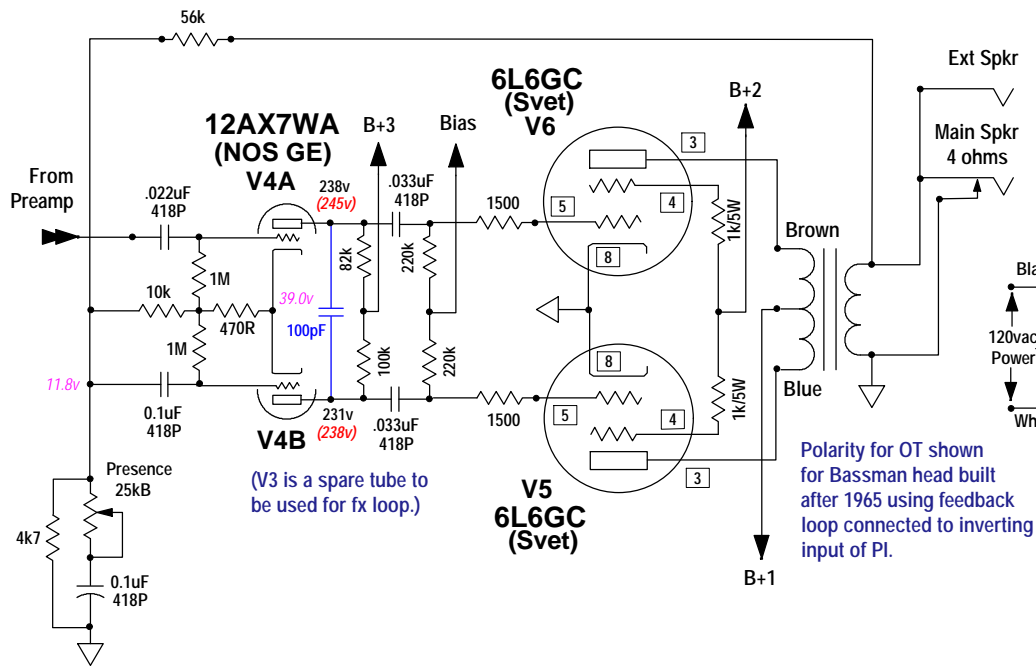
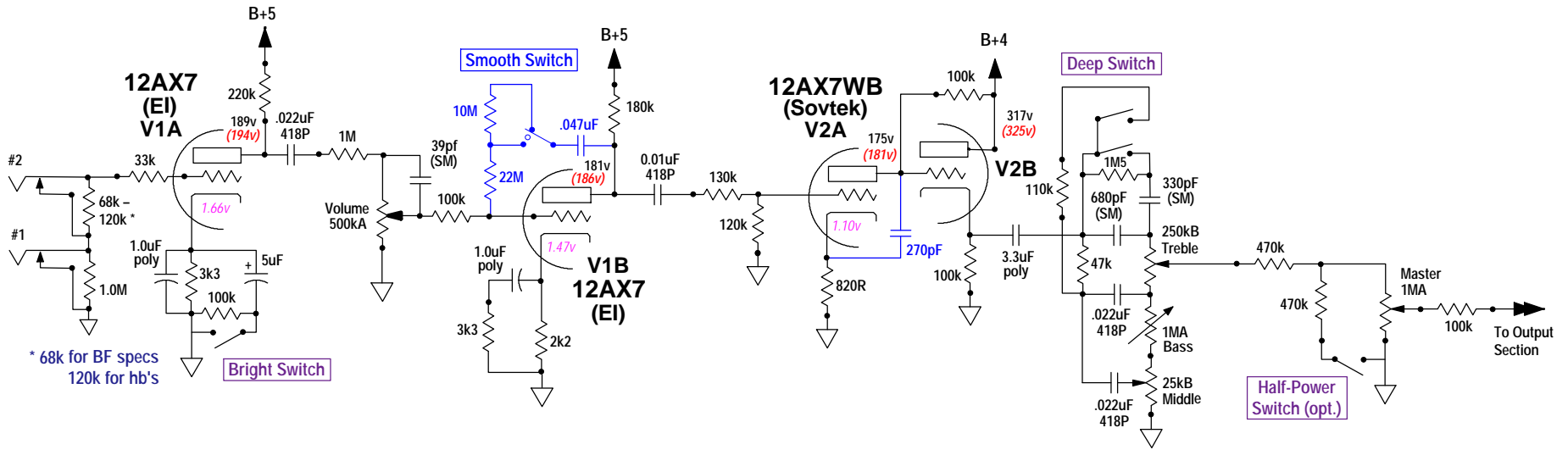
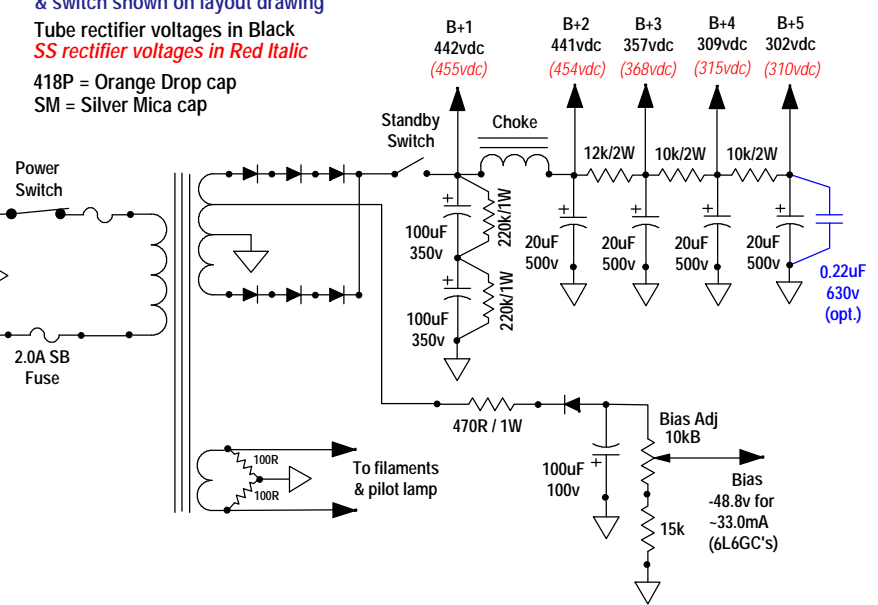


Hot Rod Tweed Conversion for SF Bassman Head



Notes:
 Wiring for optional tube rectifier & switch shown on layout drawing
 Tube rectifier voltages in Black
 SS rectifier voltages in Red Italic
 418P = Orange Drop cap
 SM = Silver Mica cap



Blues Master variation

Designed by Steve Ahola
 Rev.03-12-00