

ISS	ECO NUMBER	DATE
RELEASED	29/01/92	

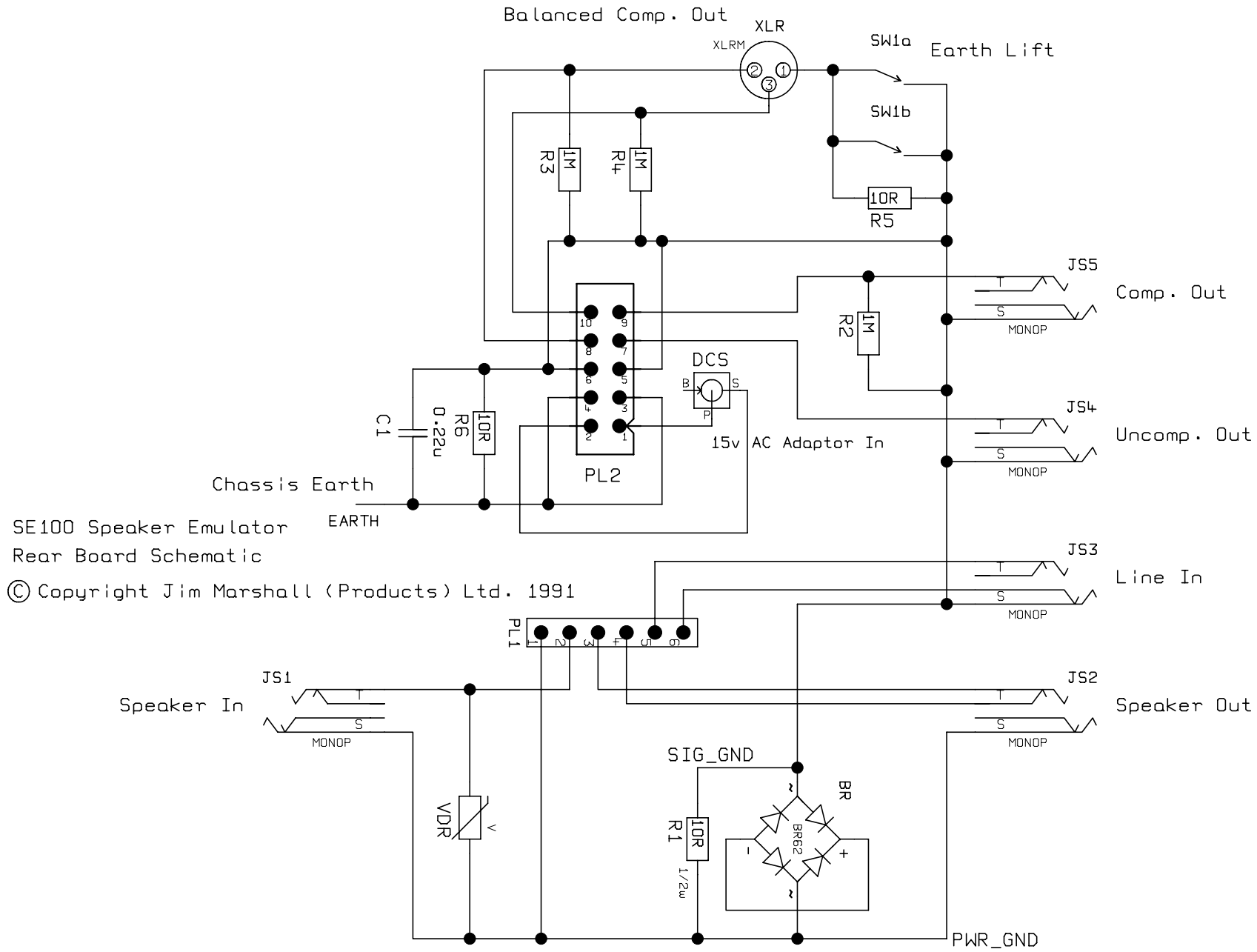
ALL OTHER HOLES =		X = (THROUGH PLATED)	
A	E	J	N
B	F	K	P
C	G	L	Q
D	H	M	R

MATERIAL		DIMENSIONS IN	
MATERIAL THICKNESS		TOLERANCE (UNLESS OTHERWISE STATED)	
DRAWN	SKB	DATE	18/03/91
CHECKED		DATE	
APPROVED		DATE	

Marshall

© MARSHALL AMPLIFICATION PLC
DENBIGH ROAD, BLETCHLEY, MILTON KEYNES, MK1 1DQ.
TEL (01908) 375411 FAX (01908) 376118

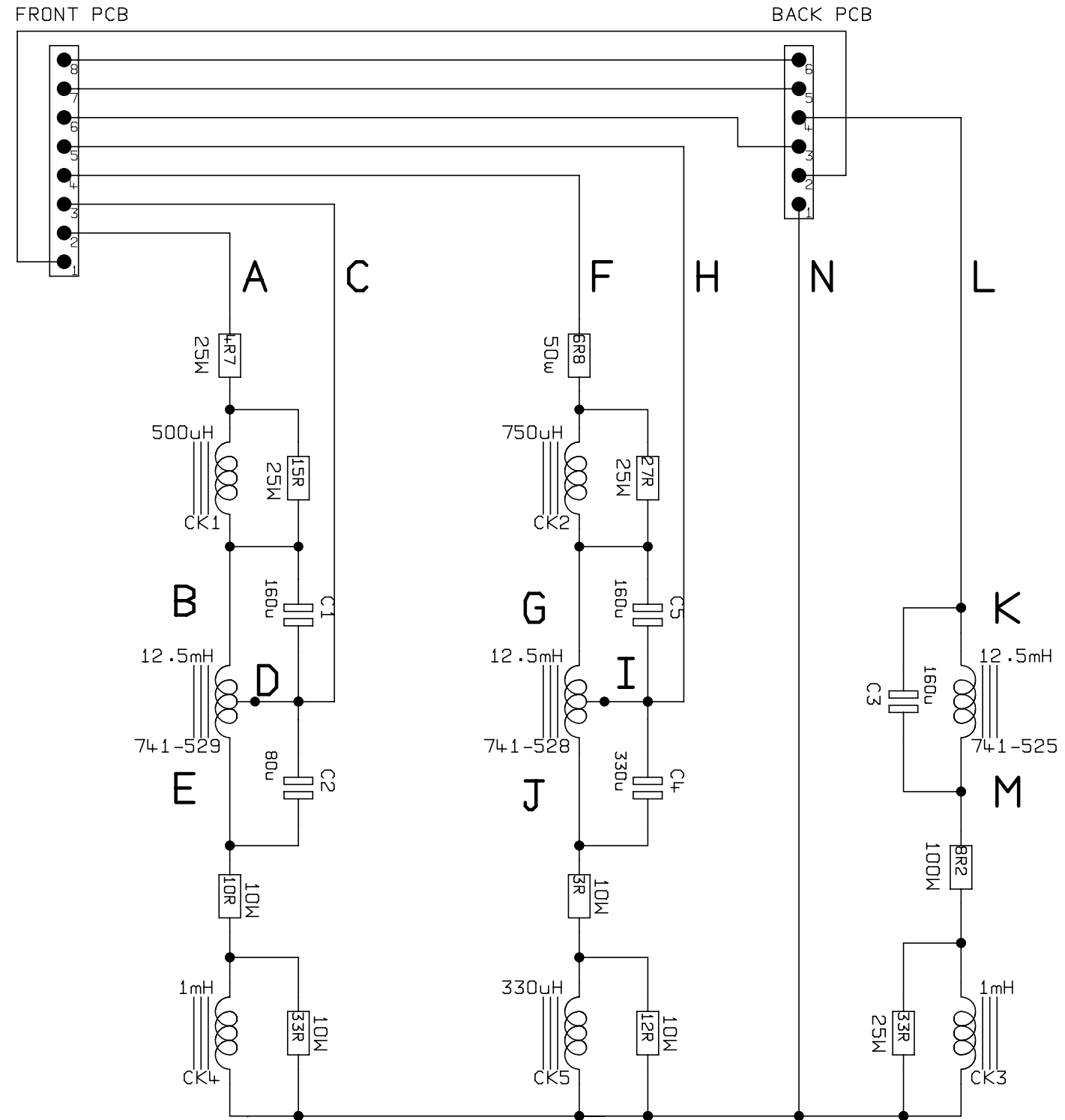
TITLE	FRONT PCB	
DWG.No	PC0789.DGM	ISS 1



SE100 Speaker Emulator
Rear Board Schematic
© Copyright Jim Marshall (Products) Ltd. 1991

ISS		ECO NUMBER	DATE	ALL OTHER HOLES =			X = (THROUGH PLATED			MATERIAL		DIMENSIONS IN		TITLE	
A		B		E			J			N		TOLERANCE (UNLESS OTHERWISE STATED)		BACK PCB	
B		C		F			K			P		MARSHALL		ISS	
C		D		G			L			Q		SE 100		1	
D		E		H			M			R		MARSHALL AMPLIFICATION PLC		PC0790.DGM	
E		F		K			P			S		DENBIGH ROAD, BLETCHLEY, MILTON KEYNES, MK1 1DQ.		DWG.No	
F		G		J			O			T		TEL (01908) 375411 FAX (01908) 376118		ISS	
G		H		M			R			V				1	
H		A		D			G			J					

DWG.No. PC0791.DGM



ALL OTHER HOLES =		X = (THROUGH PLATED)	
A	E	J	N
B	F	K	P
C	G	L	Q
D	H	M	R

MATERIAL THICKNESS	
DRAWN SKB	DATE 18/03/91
CHECKED	DATE
APPROVED	DATE

DIMENSIONS IN	
TOLERANCE (UNLESS OTHERWISE STATED)	
MODEL SE 100	



TITLE	CHOKE PCB
DWG.No	PC0791.DGM
ISS	1