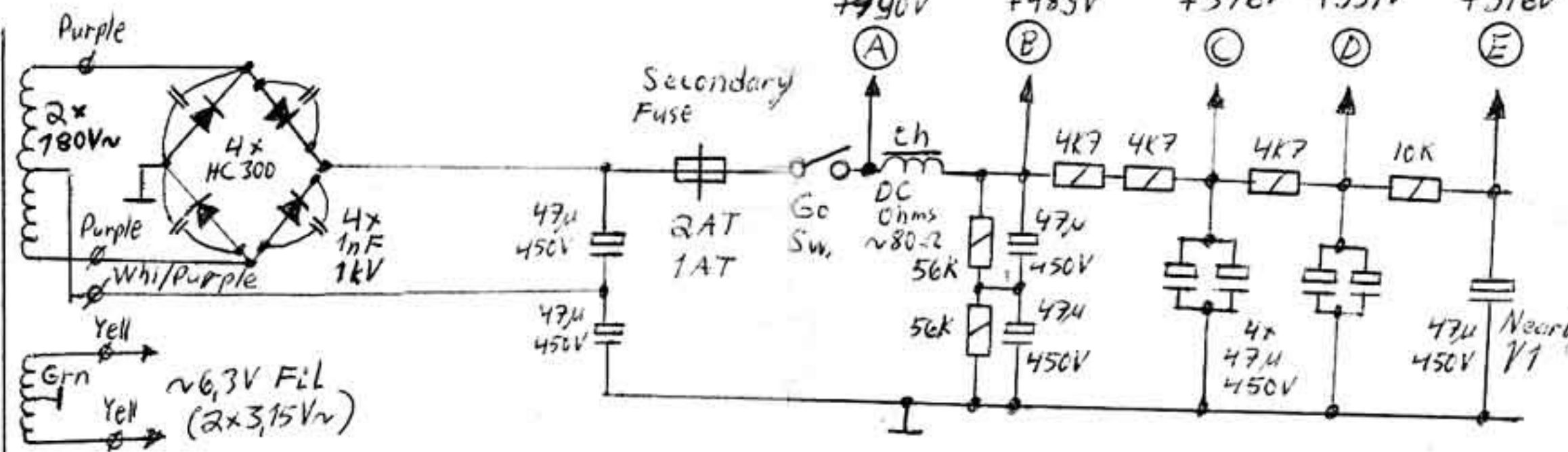
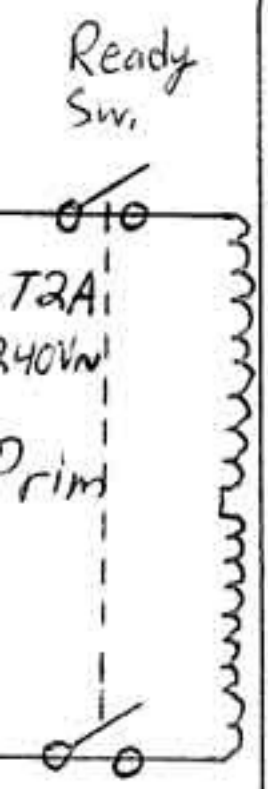
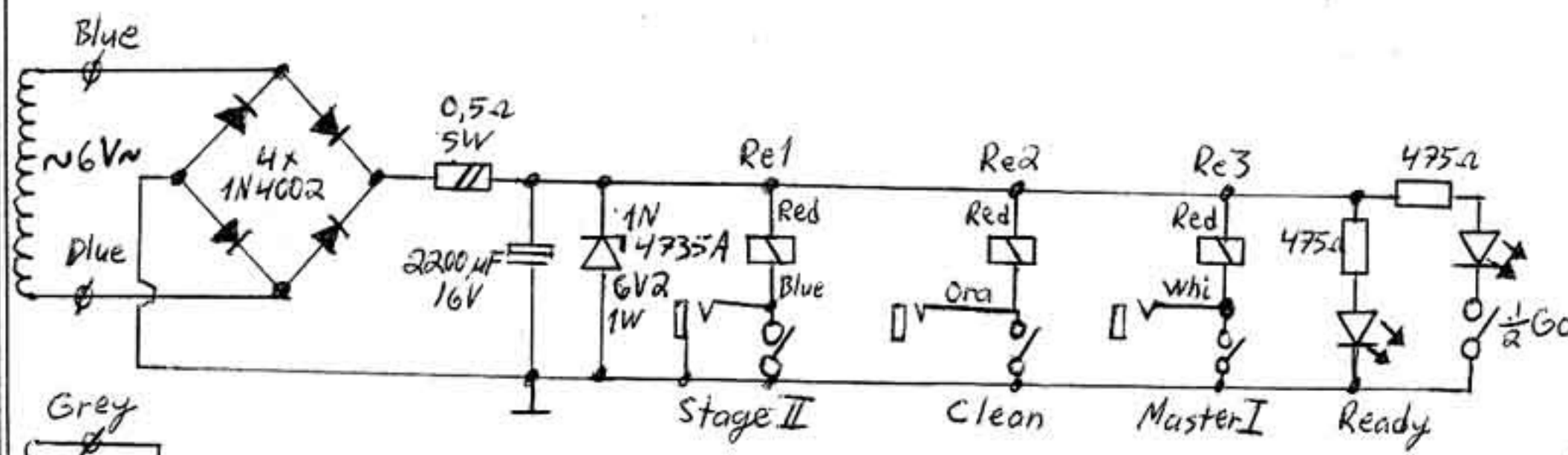


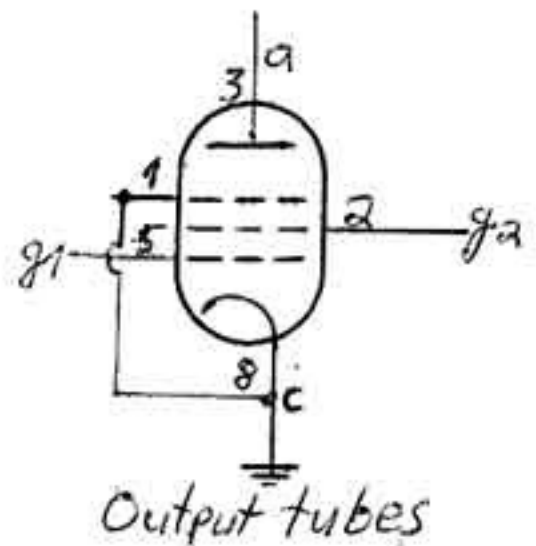
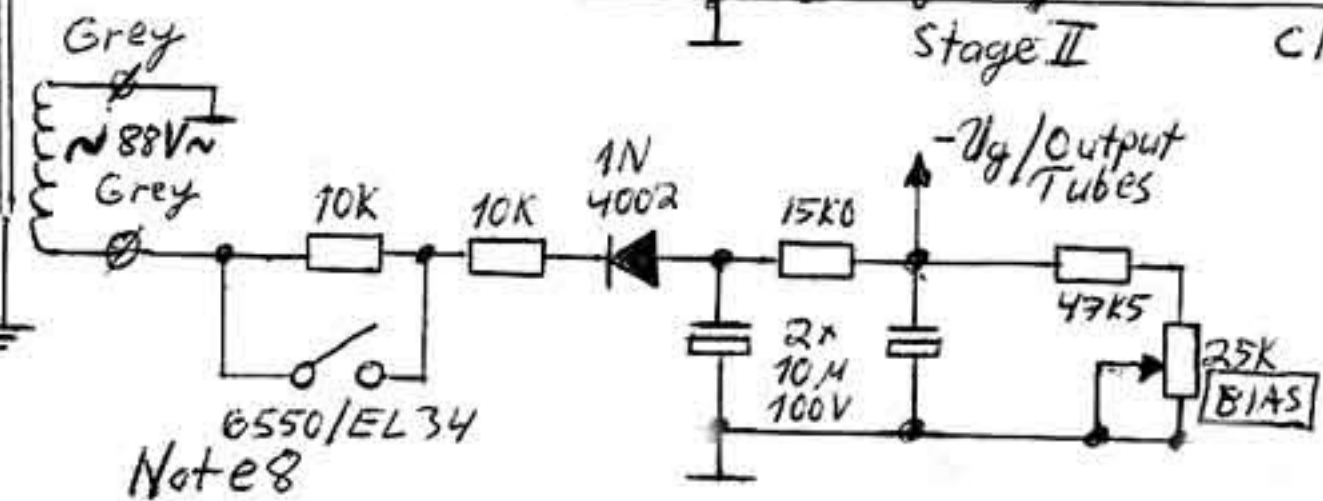
5A 5.B.
 AT/120V



$J_{A_0} \approx 120mA$
 $J_{B_0} \approx 20mA$
 $J_{C_0} \approx 2,5mA$
 $J_{D_0} \approx 8mA$
 $J_{E_0} \approx 1,5mA$
 $\Sigma J_{C_0} \approx 150mA$



- 8. 10k0+2k07 series in some new models (Rem 10k)
- 7. Shielded Wire RG-174A/U
- 6. Set Bias approx. 30mA
- 5. Output tubes EL34/6550
- 4. PreAmp tubes 12AX7
- 3. Relays: type ALCO HG2C-6S
 All C's 400V, except if m.
- 2. All C's in nF, except if m.
 type WIMA
- 1. All R's in Ω E+ept if ment.



M-1000 Head 100w	PSU.
	24/3/89
Metaltronix	Lg-Drawn