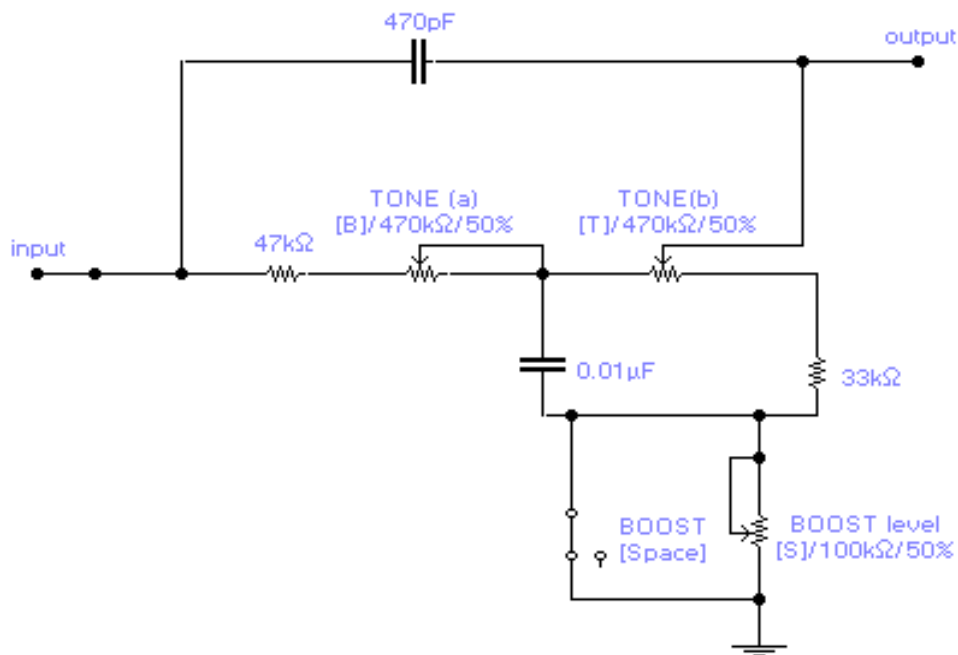


## Single tone control with level boost v.2



THE TONE CONTROL POT IS A DUAL POT SET UP SO AS TO BOOST MIDS WHEN TREBLE IS CUT.

WITH THE POT SET AT 50% GIVES A RESPONSE SIMILAR TO A FENDER TONE STACK WITH A MID DIP OF AROUND  $-27\text{Db}$  at 270–280 Hz WITH BASS AT AROUND  $-10\text{Db}$  AND TREBLE AT AROUND  $-1\text{ Db}$ .

THIS FIGURES ARE FROM SIMULATION ON ELECTRONICS WORKBENCH VERSION 4